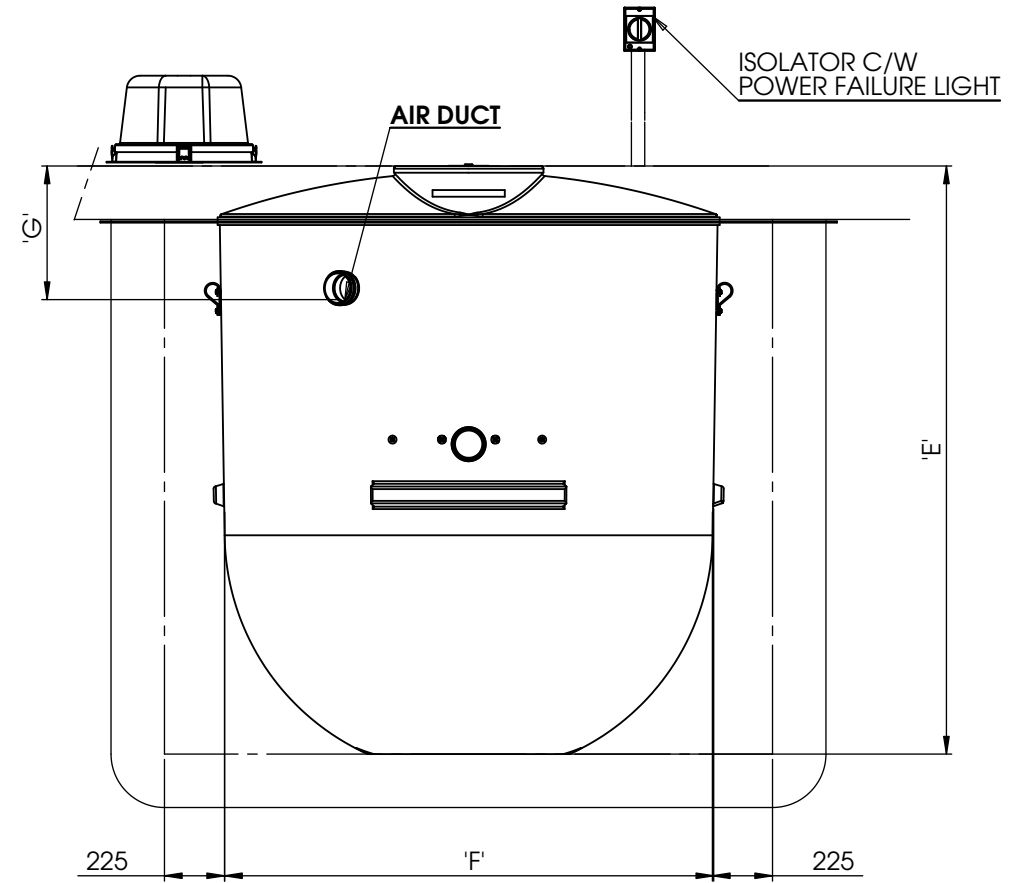
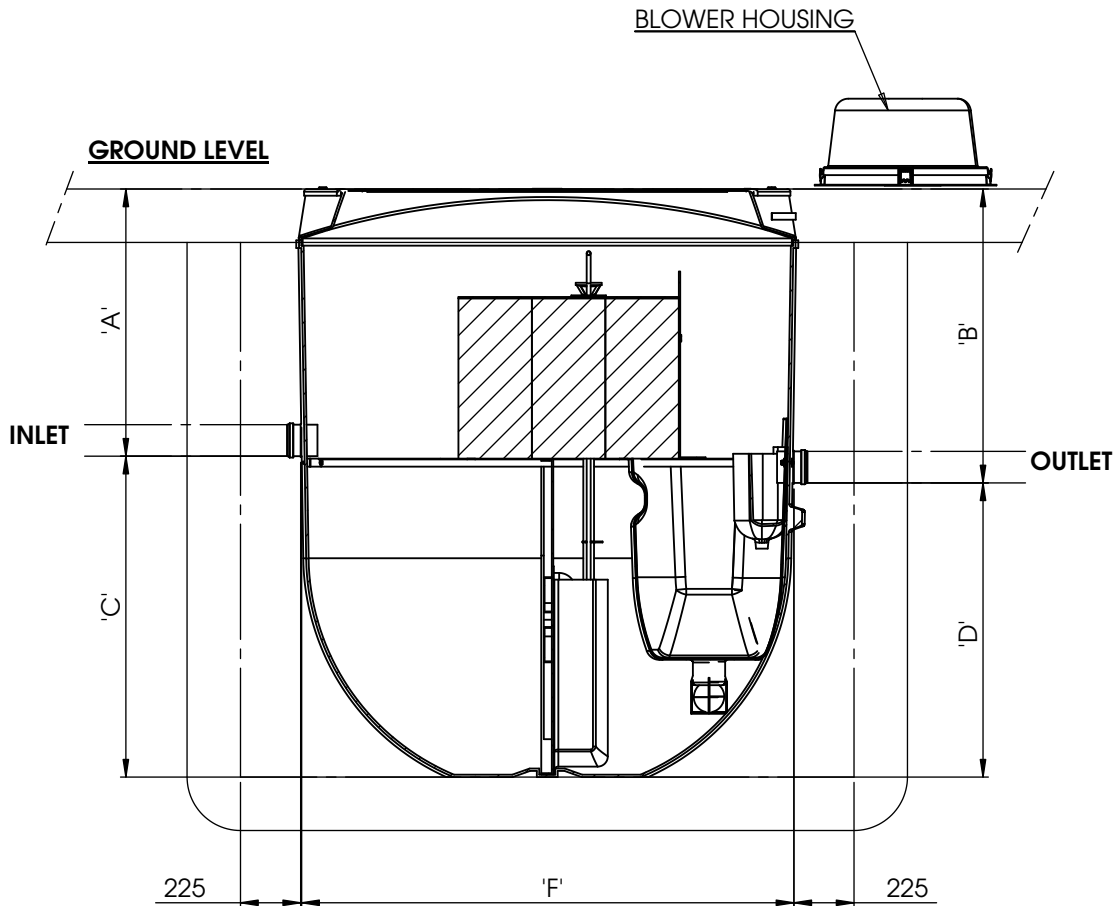


Notes:

1. This drawing is for 'Dimensional Information Only', It is essential that this drawing is read in conjunction with the 'Installation Guidelines' supplied with the unit. (Copies available from our sales department).
2. All Pipe connections are $\varnothing 110.0\text{mm}$ PVCu.
3. All units require appropriate 'Cover' & 'Frame' to suit site loadings (standard cover supplied).
4. Blower assembly mounted externally, within 10m of treatment plant.
5. Isolator mounted close to treatment plant so power failure light is visible, wiring from isolator to be fed back to blower housing.
6. $\varnothing 160\text{mm}$ Inlet Option - By External Adaptor Only.

Unit Dimension Chart								
Unit	Dim 'A' (mm)	Dim 'B' (mm)	Dim 'C' (mm)	Dim 'D' (mm)	Dim 'E' (mm)	Dim 'F' (mm)	Dim 'G' (mm)	Unit Weight (Kgs)
E006G10AK	1000	1100	1200	1100	2200	1850	500	250
E006G15AK	1500	1600	1200	1100	2700	1850	500	270
E012G10AK	1000	1100	1700	1600	2700	1850	500	275
E012G15AK	1500	1600	1700	1600	3200	1850	500	295



Please check with Kingspan Environmental that this drawing is the latest issue				Material : Various	Tolerance :	Drawing : DS0968P - E6 & E12 Gravity Page 1 of 1
Issue	Date	Drawn by	Approved by	Finish :	Thickness : n/a	
03	11/06/12	JMcM		Description	Surface Area :	E6 & E12 TREATMENT PLANTS (GRAVITY)
02	11.10.10	J.McM		CC1048		
				Weight : See Table		
				CC901 - Amend Weights		
All dimensions in mm		Scale: Not to scale		Kingspan Environmental reserve the right to alter the details of this drawing without prior notice. This drawing is copyright and may not be reproduced or used without the written permission of Kingspan Environmental.		
X:\engineering\Drawing Data\02 - Sales Drawings\DS\DS - 09\DS0968P - E6 & E12 Gravity						